

AC switch – disconnecter in plastic enclosure

S3/000 - 20A – emergency handle



Indicative picture

Standards

IEC 60947-3



Quality Telergon, SAU

ISO 9001 & 14001



Electrical data (according to IEC 60947-3)

Thermal current I_{th} (-25 to 55 °C) 20A

Rated insulation voltage U_i (V) 800

Rated impulse withstand voltage U_{imp} (kV) 8

AC Rated operational current I_e (A)

Voltage (C)	Category of operation	I _e
415 V	AC23A	20

*** Please consult for other voltages and/or category of operation*

Short-circuit behaviour

Rated short-time withstand current (1 sec) I_{cw} 1
 Rated short circuit making capacity I_{cm} 0,8

Connection capacity

Rigid cable (mm²) 1,5-10

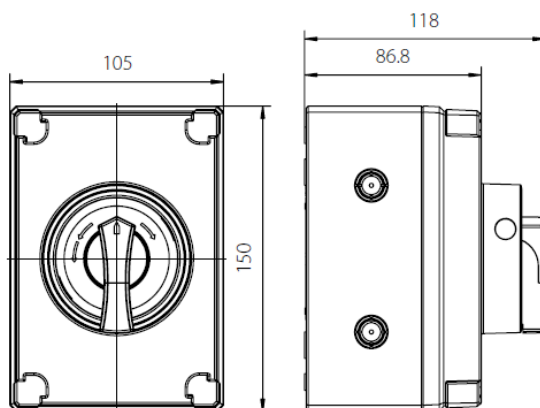
Mechanical data

Mechanical life 100.000

Codes

Size	Poles	Switch code	Accessories	Accessories code
000	3P	S3-00203P4EP	Terminal shrouds	DS3CUA1 (3P)
	3P+N	S3-00203N4EP	Add-on Auxiliary Contacts	DS3CUA2 (1P) DS3AUP1 (1NO+1NC) DS3AUP2 (2NO)

Dimensions



You will find detailed information about our products on our web site www.telergon.com



AC switch-disconnector
 S3/000 - 20A – Plastic enclosure

TELERGON, SAU
 Data subject to change without
 notice (printed: 23/05/2024)